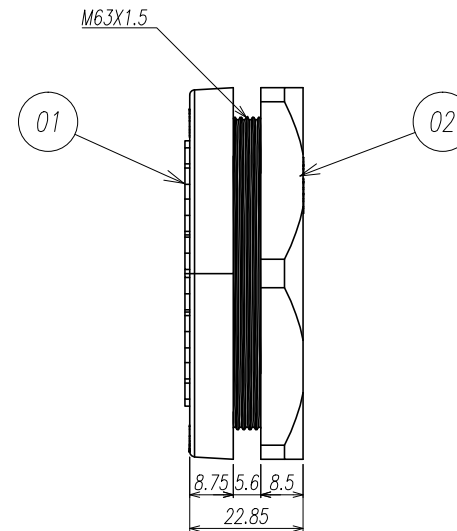
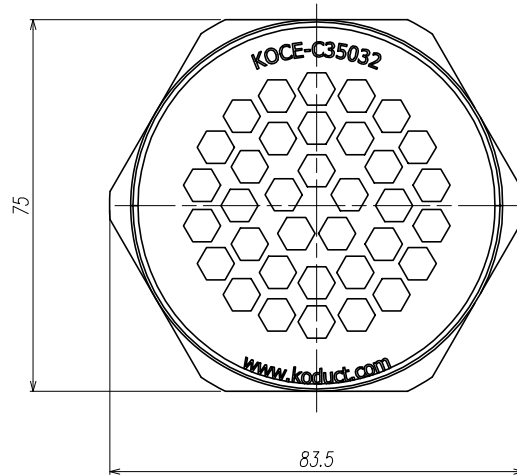
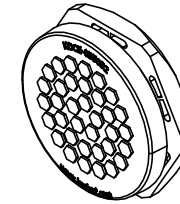


STANDARD



NO.	DATE	EO NO.	CONTENT
△	2019.03.19	P-R0	신규 등록
△	2023.10.04	P-R1	품명 변경(M63 NUT -> KOCE M63 NUT)



NOTE.
1.

CLASS OF FINISH	GENERAL TOL.(MACHINE)			NO.	DESCRIPTION	MAT.	Q'TY	U.W	REMARK												
SYMBOL	Rmax	NOMINAL DIM.(MM)	TOL.																		
~	50 S	OVER 0.5 UNDER 6	±0.1	02	KOCE M63 NUT △		1	-	-												
▽	50 S	6	±0.2	01	C35032 HOUSING		1	-	-												
▽▽	12.5 S	30	±0.3	<div style="text-align: center;"> </div>																	
▽▽▽	3.2 S	120	±0.5																		
▽▽▽▽	0.8 S	315	±0.8																		
▽▽▽▽▽	1000	2000	±1.2																		
▽▽▽▽▽	1000	2000	±1.5	<table border="1" style="width: 100%;"> <tr> <td>품명</td> <td colspan="2">KOCE-C35032</td> <td>제품군</td> <td colspan="2">CABLE CARRIER</td> </tr> <tr> <td>품명</td> <td colspan="2">코세-C35032</td> <td>DWG NO.</td> <td colspan="2">KOCE-C35032</td> </tr> </table>						품명	KOCE-C35032		제품군	CABLE CARRIER		품명	코세-C35032		DWG NO.	KOCE-C35032	
품명	KOCE-C35032		제품군	CABLE CARRIER																	
품명	코세-C35032		DWG NO.	KOCE-C35032																	
▽	OVER 2000			DATE	2019.03.19	SCALE	1:1	UNIT	mm, kg												